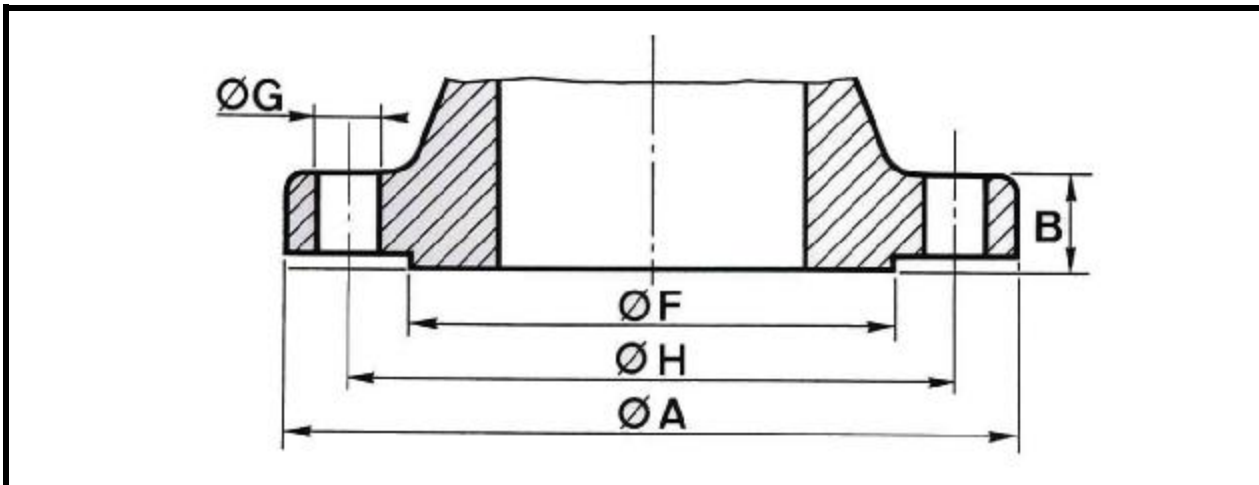




法蘭規格表

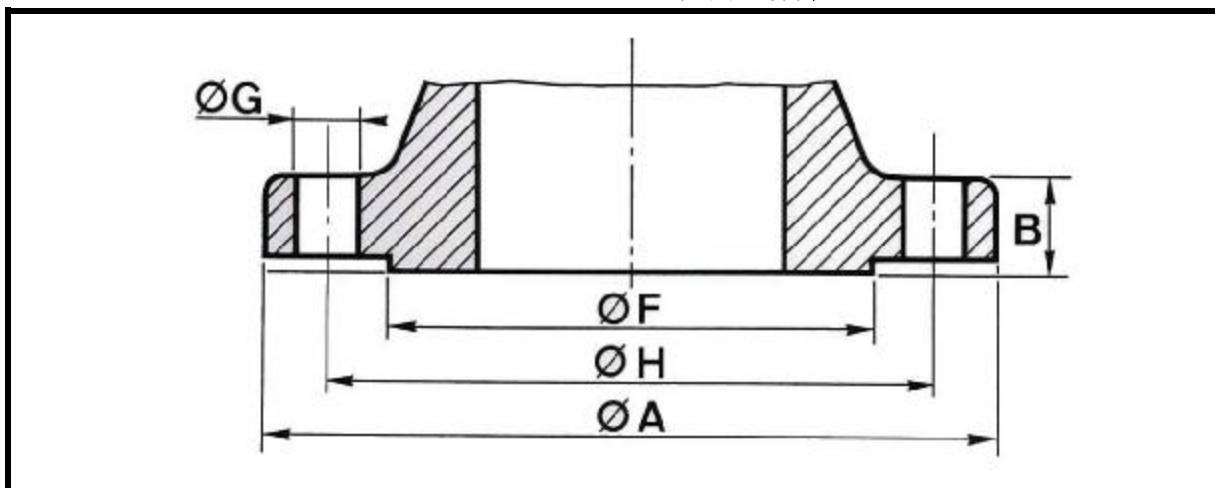
ANSI 150# / DIN PN16 / JIS 10K 法蘭規格表



| 尺寸 | A | B | F | 螺絲孔數 | G | H | 尺寸 | A | B | F | 螺絲孔數 | G | H |
|-----------------------|-------|------|-------|------|------|-------|--------------------|-----|----|-----|------|----|-----|
| ANSI 150#RF 標準 | | | | | | | DIN PN16 標準 | | | | | | |
| 1/2" | 89 | 11.1 | 35 | 4 | 15.9 | 60.3 | 1/2" | 95 | 16 | 45 | 4 | 14 | 65 |
| 3/4" | 98 | 12.7 | 43 | 4 | 15.9 | 69.8 | 3/4" | 105 | 18 | 58 | 4 | 14 | 75 |
| 1" | 108 | 14.3 | 51 | 4 | 15.9 | 79.4 | 1" | 115 | 18 | 68 | 4 | 14 | 85 |
| 1-1/4" | 117 | 15.9 | 64 | 4 | 15.9 | 88.9 | 1-1/4" | 140 | 18 | 78 | 4 | 18 | 100 |
| 1-1/2" | 127 | 17.5 | 73 | 4 | 16 | 98.5 | 1-1/2" | 150 | 18 | 88 | 4 | 18 | 110 |
| 2" | 152.4 | 19.1 | 92 | 4 | 19 | 120.6 | 2" | 165 | 20 | 102 | 4 | 18 | 125 |
| 2-1/2" | 177.8 | 22.3 | 104.6 | 4 | 19 | 139.7 | 2-1/2" | 185 | 20 | 122 | 4 | 18 | 145 |
| 3" | 190.5 | 23.8 | 127 | 4 | 19 | 152.4 | 3" | 200 | 20 | 138 | 8 | 18 | 160 |
| 4" | 228.6 | 23.8 | 157.2 | 8 | 19 | 190.5 | 4" | 220 | 20 | 158 | 8 | 18 | 180 |
| 5" | 254 | 23.8 | 186 | 8 | 22 | 215.9 | 5" | 250 | 22 | 188 | 8 | 18 | 210 |
| 6" | 279.4 | 25.4 | 215.9 | 8 | 22 | 241.3 | 6" | 285 | 22 | 212 | 8 | 23 | 240 |
| 8" | 342.9 | 28.5 | 269.8 | 8 | 22 | 298.4 | 8" | 340 | 24 | 268 | 12 | 23 | 295 |
| 10" | 406.4 | 30.2 | 323.8 | 12 | 25.5 | 361.9 | 10" | 405 | 26 | 320 | 12 | 27 | 355 |
| 12" | 482.6 | 31.8 | 381 | 12 | 25.5 | 431.8 | 12" | 460 | 28 | 378 | 12 | 27 | 410 |
| 14" | 533.4 | 35 | 412.7 | 12 | 28.5 | 476.2 | 14" | 520 | 30 | 438 | 16 | 27 | 470 |
| 16" | 596.9 | 36.5 | 469.9 | 16 | 28.5 | 539.7 | 16" | 580 | 32 | 490 | 16 | 30 | 525 |
| 18" | 635 | 39.6 | 533.4 | 16 | 31.5 | 577.8 | 20" | 715 | 34 | 610 | 20 | 33 | 650 |
| 20" | 698.5 | 42.9 | 584.2 | 20 | 31.5 | 635 | 24" | 840 | 36 | 725 | 20 | 36 | 770 |
| 24" | 812.8 | 47.7 | 692.1 | 20 | 35 | 749.3 | | | | | | | |
| JIS 10K 標準 | | | | | | | | | | | | | |
| 1/2" | 95 | 12 | 51 | 4 | 15 | 70 | 4" | 210 | 18 | 151 | 8 | 19 | 175 |
| 3/4" | 100 | 14 | 56 | 4 | 15 | 75 | 5" | 250 | 20 | 182 | 8 | 23 | 210 |
| 1" | 125 | 14 | 67 | 4 | 19 | 90 | 6" | 280 | 22 | 212 | 8 | 23 | 240 |
| 1-1/4" | 135 | 16 | 76 | 4 | 19 | 100 | 8" | 330 | 22 | 262 | 12 | 23 | 290 |
| 1-1/2" | 140 | 16 | 81 | 4 | 19 | 105 | 10" | 400 | 24 | 324 | 12 | 25 | 355 |
| 2" | 155 | 16 | 96 | 4 | 19 | 120 | 12" | 445 | 24 | 368 | 16 | 25 | 400 |
| 2-1/2" | 175 | 18 | 116 | 4 | 19 | 140 | 14" | 490 | 26 | 413 | 16 | 25 | 445 |
| 3" | 185 | 18 | 126 | 8 | 19 | 150 | 16" | 560 | 28 | 475 | 16 | 27 | 510 |

法蘭規格表

ANSI 300# / DIN PN40 / JIS 20K 法蘭規格表



| 尺寸 | A | B | F | 螺絲孔數 | G | H | 尺寸 | A | B | F | 螺絲孔數 | G | H |
|----------------|-------|------|-------|------|------|-------|-------------|-----|----|-----|------|----|-----|
| ANSI 300#RF 標準 | | | | | | | DIN PN40 標準 | | | | | | |
| 1/2" | 95 | 14.3 | 35 | 4 | 15.9 | 66.7 | 1/2" | 95 | 16 | 45 | 4 | 14 | 65 |
| 3/4" | 117 | 15.9 | 43 | 4 | 19 | 82.6 | 3/4" | 105 | 18 | 58 | 4 | 14 | 75 |
| 1" | 124 | 17.5 | 51 | 4 | 19 | 88.9 | 1" | 115 | 18 | 68 | 4 | 14 | 85 |
| 1-1/4" | 133 | 19 | 64 | 4 | 19 | 98.4 | 1-1/4" | 140 | 18 | 78 | 4 | 18 | 100 |
| 1-1/2" | 155.5 | 20.6 | 73 | 4 | 22 | 114.3 | 1-1/2" | 150 | 18 | 88 | 4 | 18 | 110 |
| 2" | 165.1 | 22.2 | 92 | 8 | 19 | 127 | 2" | 165 | 20 | 102 | 4 | 18 | 125 |
| 2-1/2" | 190.5 | 25.4 | 104.6 | 8 | 22 | 149.3 | 2-1/2" | 185 | 22 | 122 | 8 | 18 | 145 |
| 3" | 209.5 | 28.6 | 127 | 8 | 22 | 168.1 | 3" | 200 | 24 | 138 | 8 | 18 | 160 |
| 4" | 254 | 31.8 | 157.2 | 8 | 22 | 200.1 | 4" | 235 | 24 | 162 | 8 | 22 | 190 |
| 5" | 279 | 34.9 | 186 | 8 | 22 | 235 | 5" | 270 | 26 | 188 | 8 | 26 | 220 |
| 6" | 317.5 | 36.5 | 215.9 | 12 | 22 | 269.7 | 6" | 300 | 28 | 218 | 8 | 26 | 250 |
| 8" | 381 | 41.3 | 269.8 | 12 | 25.5 | 330.2 | 8" | 375 | 34 | 285 | 12 | 30 | 320 |
| 10" | 444.5 | 47.6 | 323.8 | 16 | 28.5 | 387.3 | 10" | 450 | 38 | 345 | 12 | 33 | 385 |
| 12" | 520.7 | 50.8 | 381 | 16 | 31.5 | 450.8 | 12" | 515 | 42 | 410 | 16 | 33 | 450 |
| 14" | 584.2 | 54 | 412.7 | 20 | 31.5 | 514.3 | 14" | 580 | 46 | 465 | 16 | 36 | 510 |
| 16" | 647.7 | 57.2 | 469.9 | 20 | 35 | 571.5 | 16" | 660 | 50 | 535 | 16 | 39 | 585 |
| 18" | 711.2 | 60.3 | 533.4 | 24 | 35 | 628.6 | 18" | 755 | 52 | 615 | 20 | 42 | 670 |
| 20" | 774.7 | 63.5 | 584.2 | 24 | 35 | 685.8 | | | | | | | |
| 24" | 914.4 | 69.8 | 692.1 | 24 | 41 | 812.8 | | | | | | | |
| JIS 20K 標準 | | | | | | | | | | | | | |
| 1/2" | 95 | 14 | 51 | 4 | 15 | 70 | 4" | 225 | 24 | 160 | 8 | 23 | 185 |
| 3/4" | 100 | 16 | 56 | 4 | 15 | 75 | 5" | 270 | 26 | 195 | 8 | 25 | 225 |
| 1" | 125 | 16 | 67 | 4 | 19 | 90 | 6" | 305 | 28 | 230 | 12 | 25 | 260 |
| 1-1/4" | 135 | 18 | 76 | 4 | 19 | 100 | 8" | 350 | 30 | 275 | 12 | 25 | 305 |
| 1-1/2" | 140 | 18 | 81 | 4 | 19 | 105 | 10" | 420 | 34 | 345 | 12 | 27 | 380 |
| 2" | 155 | 18 | 96 | 8 | 19 | 120 | 12" | 480 | 36 | 395 | 16 | 27 | 430 |
| 2-1/2" | 175 | 20 | 116 | 8 | 19 | 140 | 14" | 540 | 40 | 440 | 16 | 33 | 480 |
| 3" | 200 | 22 | 132 | 8 | 23 | 160 | 16" | 605 | 46 | 495 | 16 | 33 | 540 |