

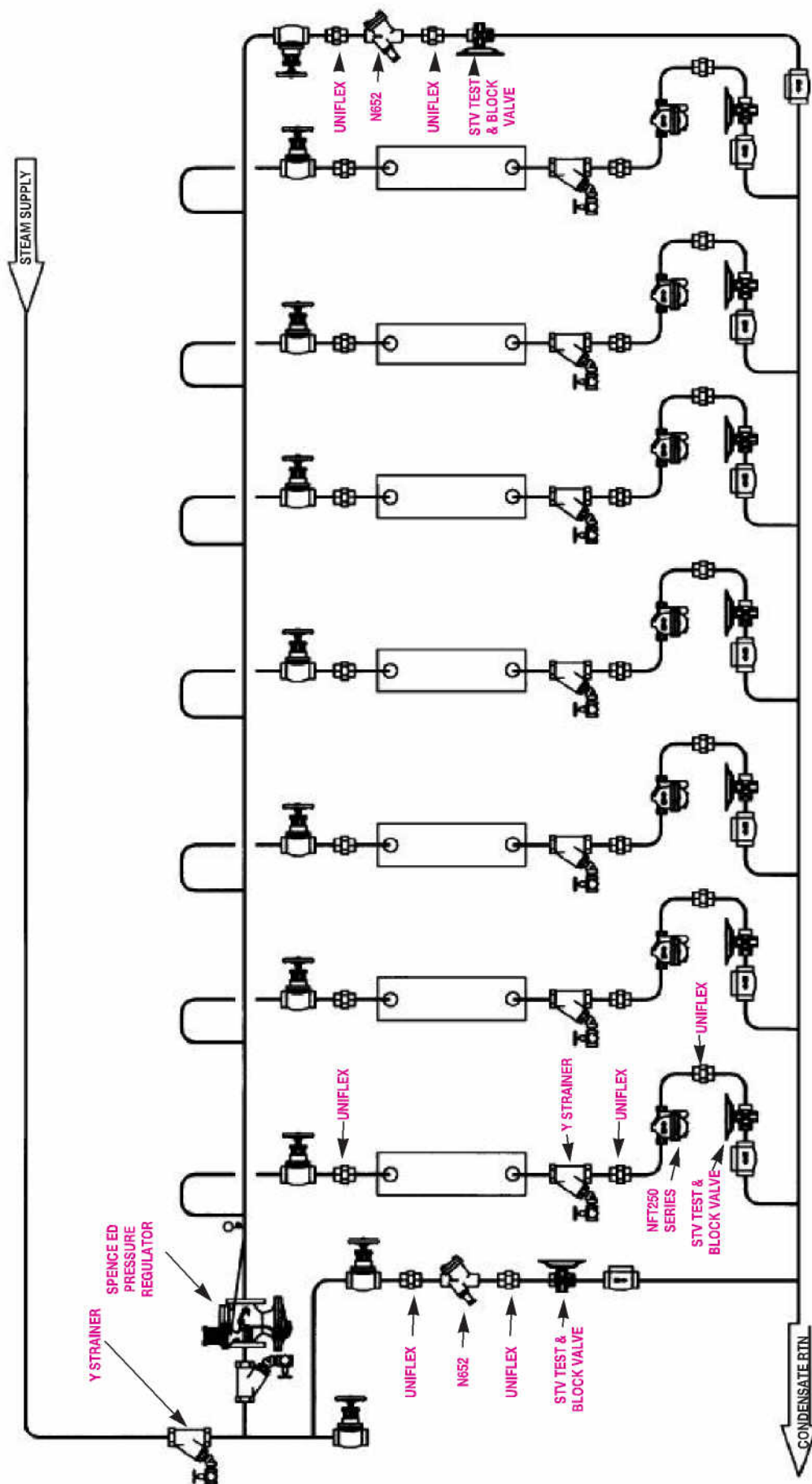
# APPLICATION DRAWINGS

This section contains drawings of typical industrial applications. Nicholson products have been highlighted to help illustrate their use and emphasize appropriate configurations. Although specific model traps have been called out, please understand that these are not necessarily the only choice. A N300, N650, or possibly a N125 could replace a TA or a FTN, Dura-Flo, or industrial thermostatic trap could replace a NFT. These decisions must be based on customer preference, system pressure and design and competitive influences. The following points should also guide trap selection:

- Appropriate length of cooling leg when specifying thermostatic traps.
- Specify SLR option when condensate must be lifted before trap.
- Trap capacity reduction due to return line back pressure.
- Matching not only capacity requirements but also pressure when selecting orifices for mechanical traps
- Being aware of air venting needs.
- Consider upstream controls such as temperature regulators that may vary pressure.
- Thermostatic traps used as air vents should utilize ISO fill and  $\frac{5}{16}$ " orifices.

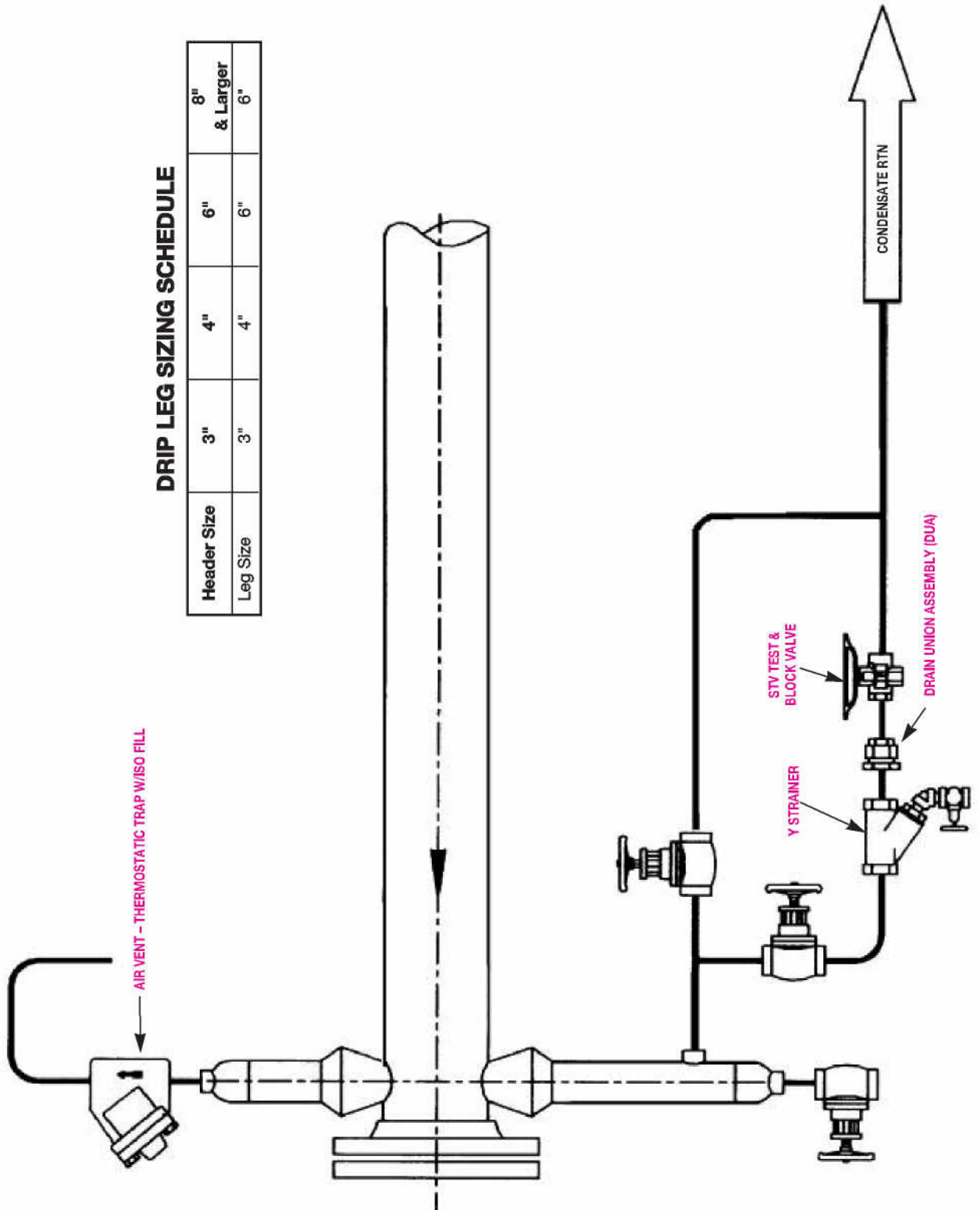
# NICHOLSON STEAM TRAP

## OVEN HEATING COILS



# NICHOLSON STEAM TRAP

## DRIP LEG/END OF MAIN LEG

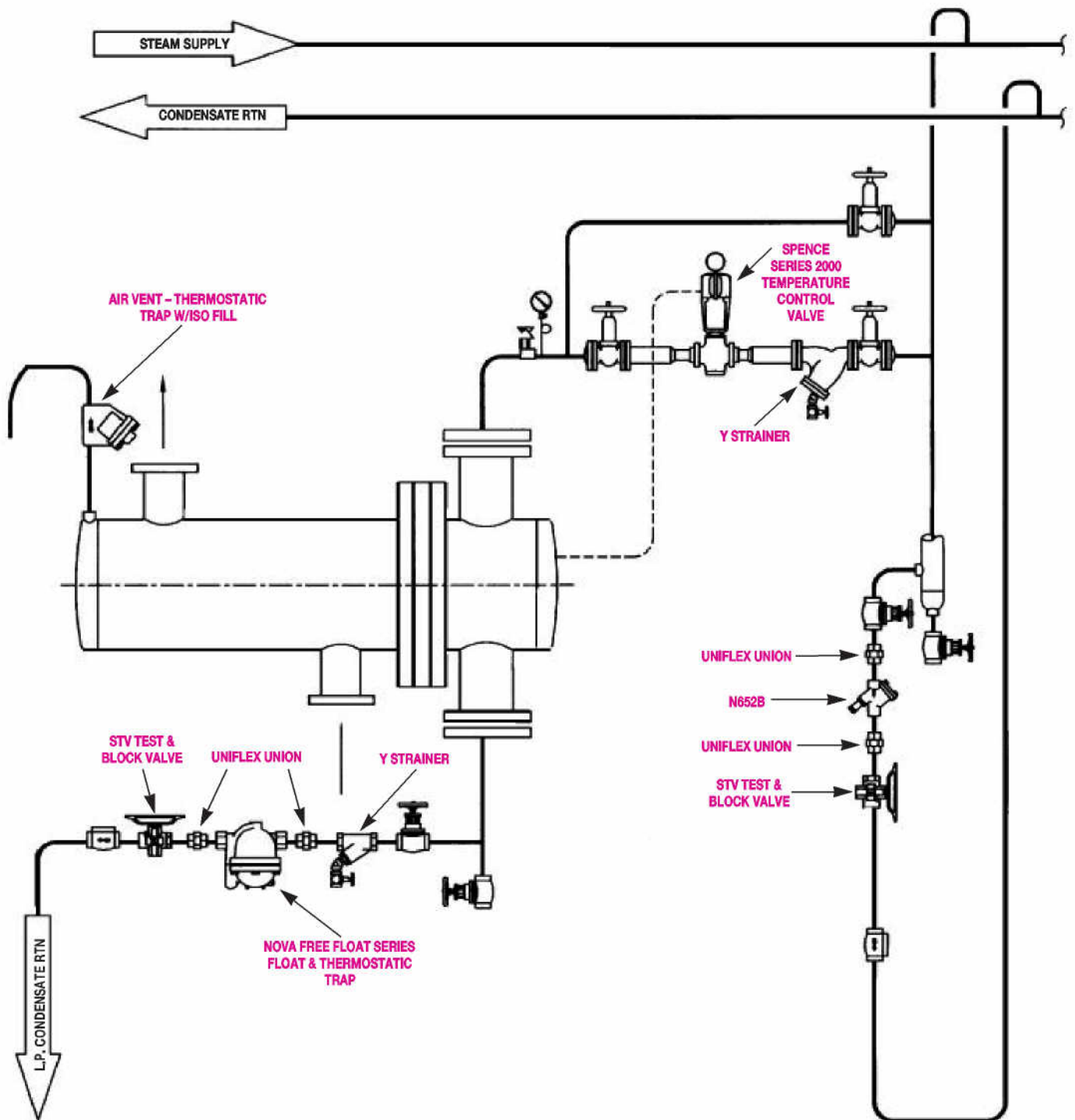


DRIP LEG SIZING SCHEDULE

|             |    |    |    |                |
|-------------|----|----|----|----------------|
| Header Size | 3" | 4" | 6" | 8"<br>& Larger |
| Leg Size    | 3" | 4" | 6" | 6"             |

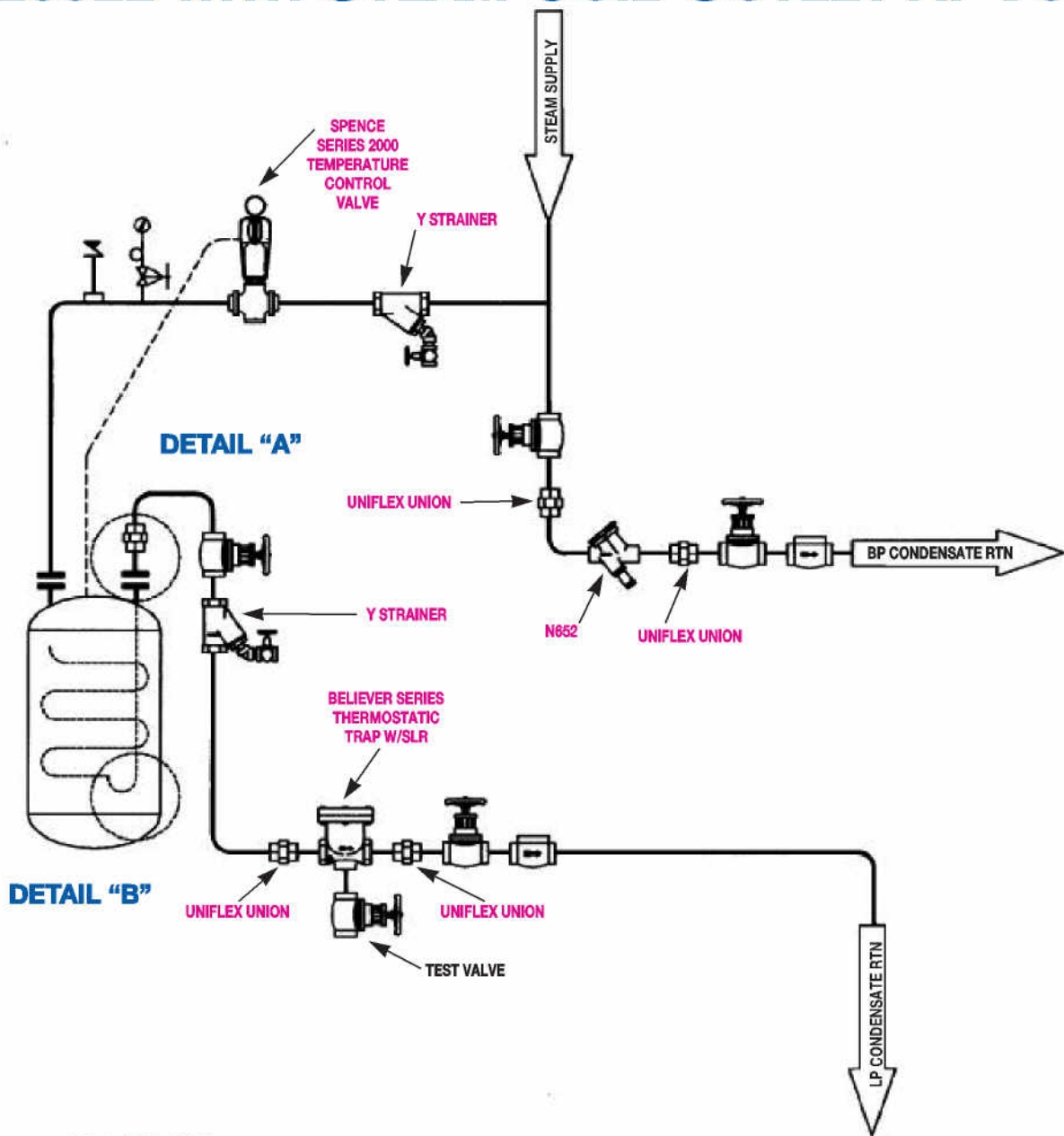
# NICHOLSON STEAM TRAP

## SHELL & TUBE HEAT EXCHANGER

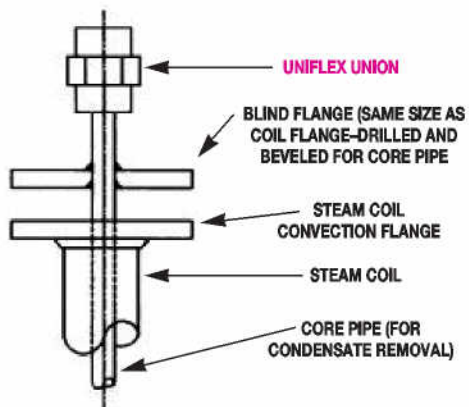


NICHOLSON STEAM TRAP

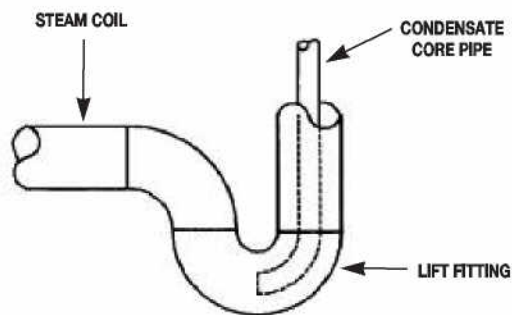
VESSEL WITH STEAM COIL OUTLET AT TOP



DETAIL "A"

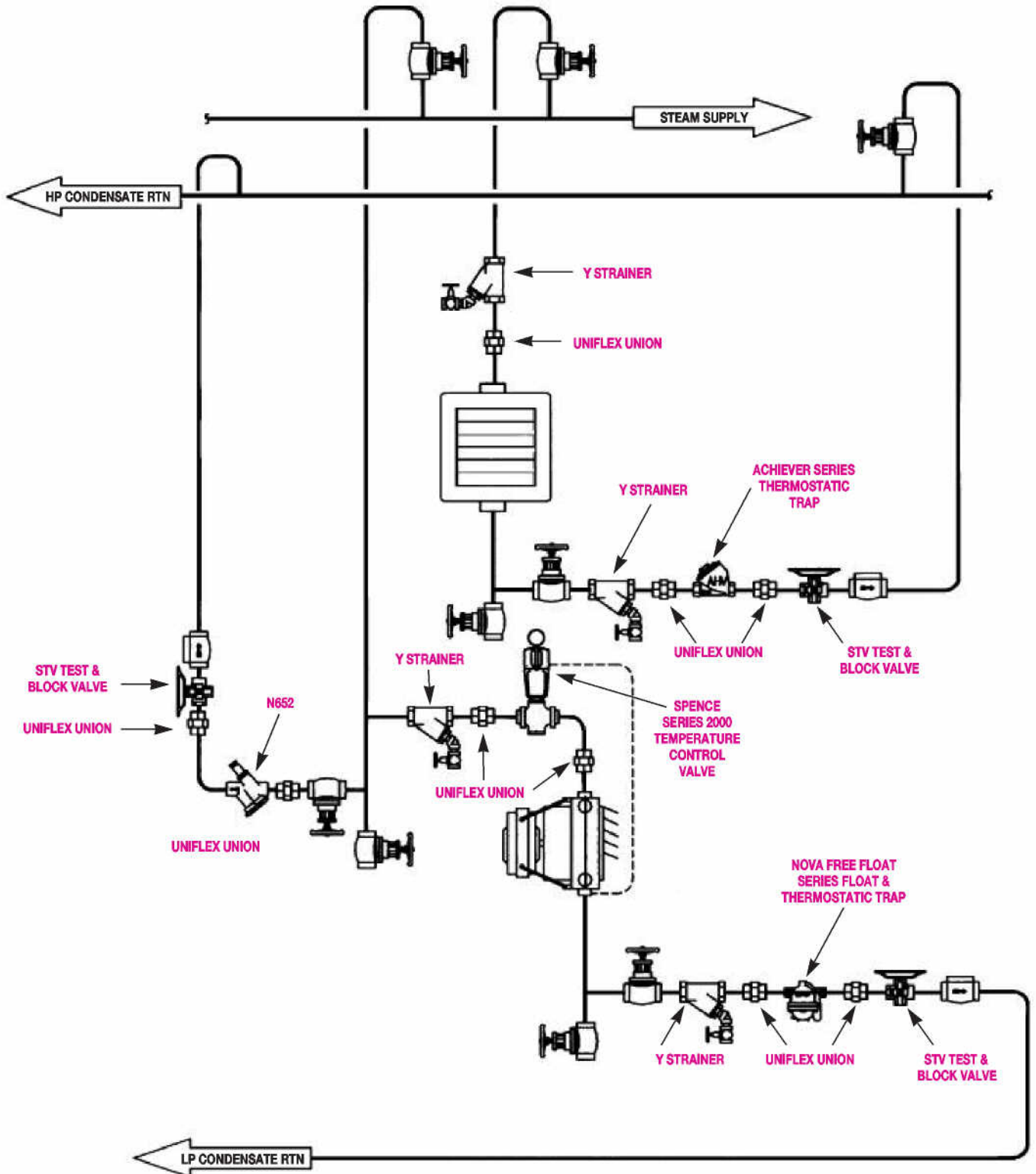


DETAIL "B"



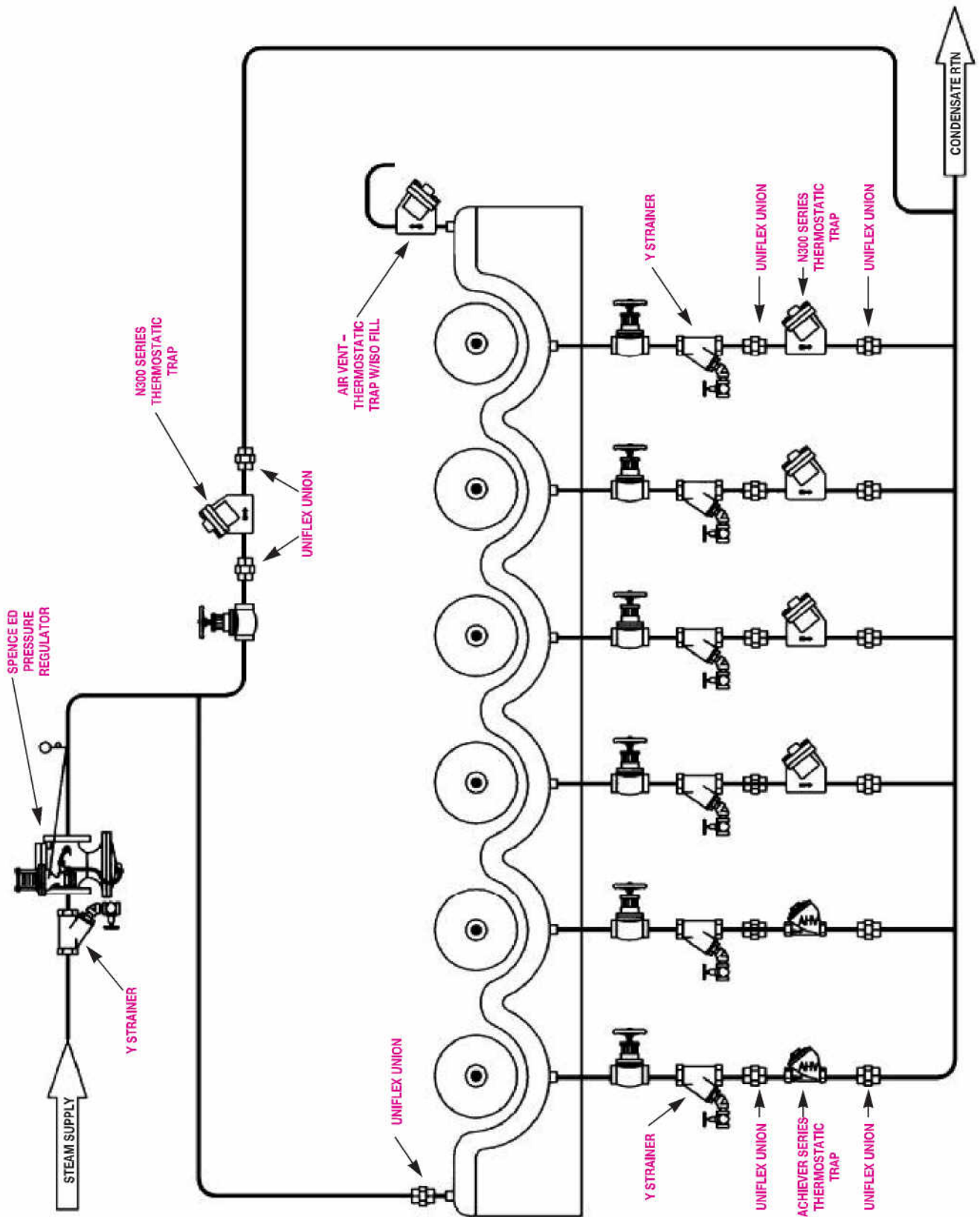
# NICHOLSON STEAM TRAP

## UNIT HEATER



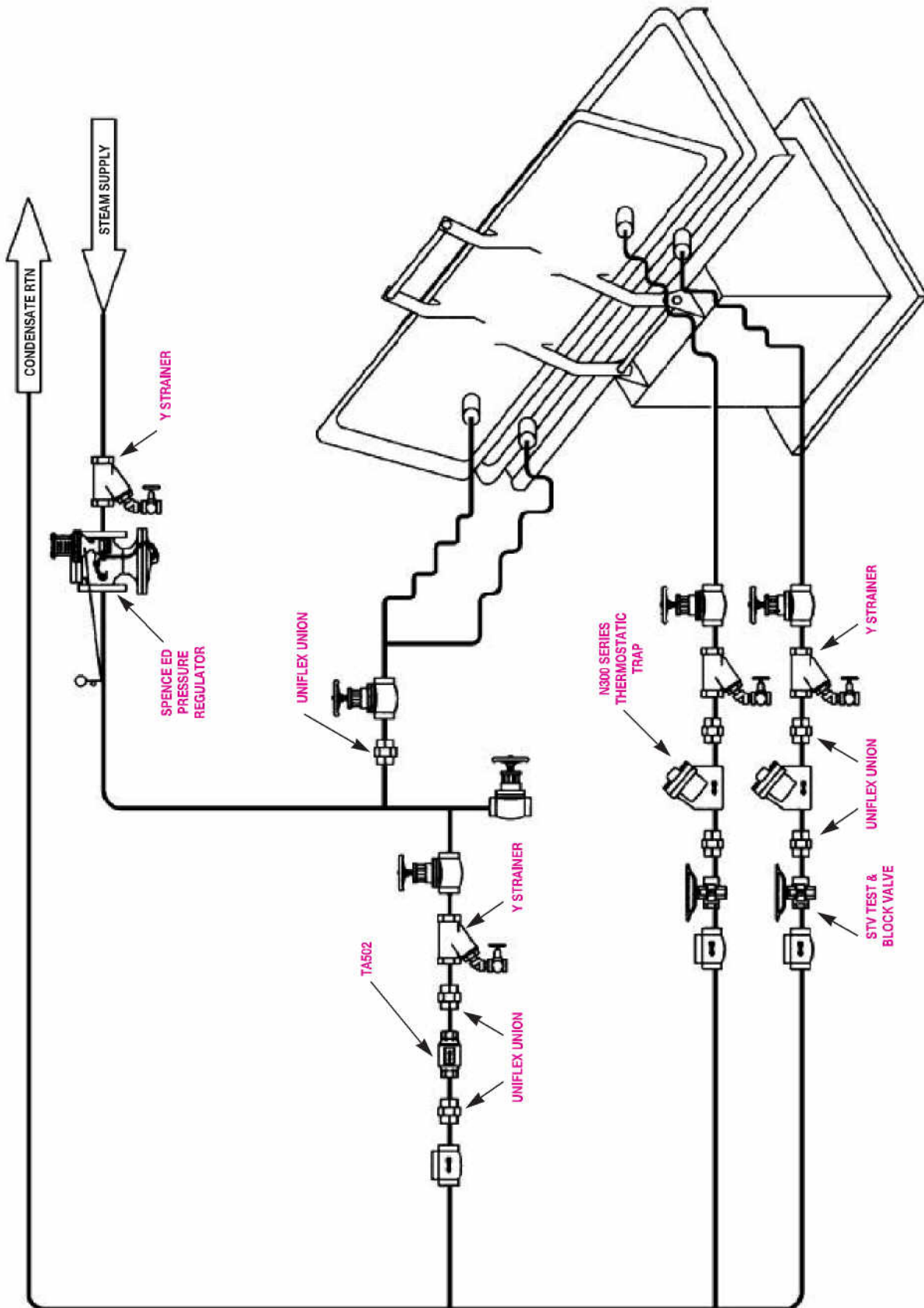
# NICHOLSON STEAM TRAP

## FLAT WORK IRONER



# NICHOLSON STEAM TRAP

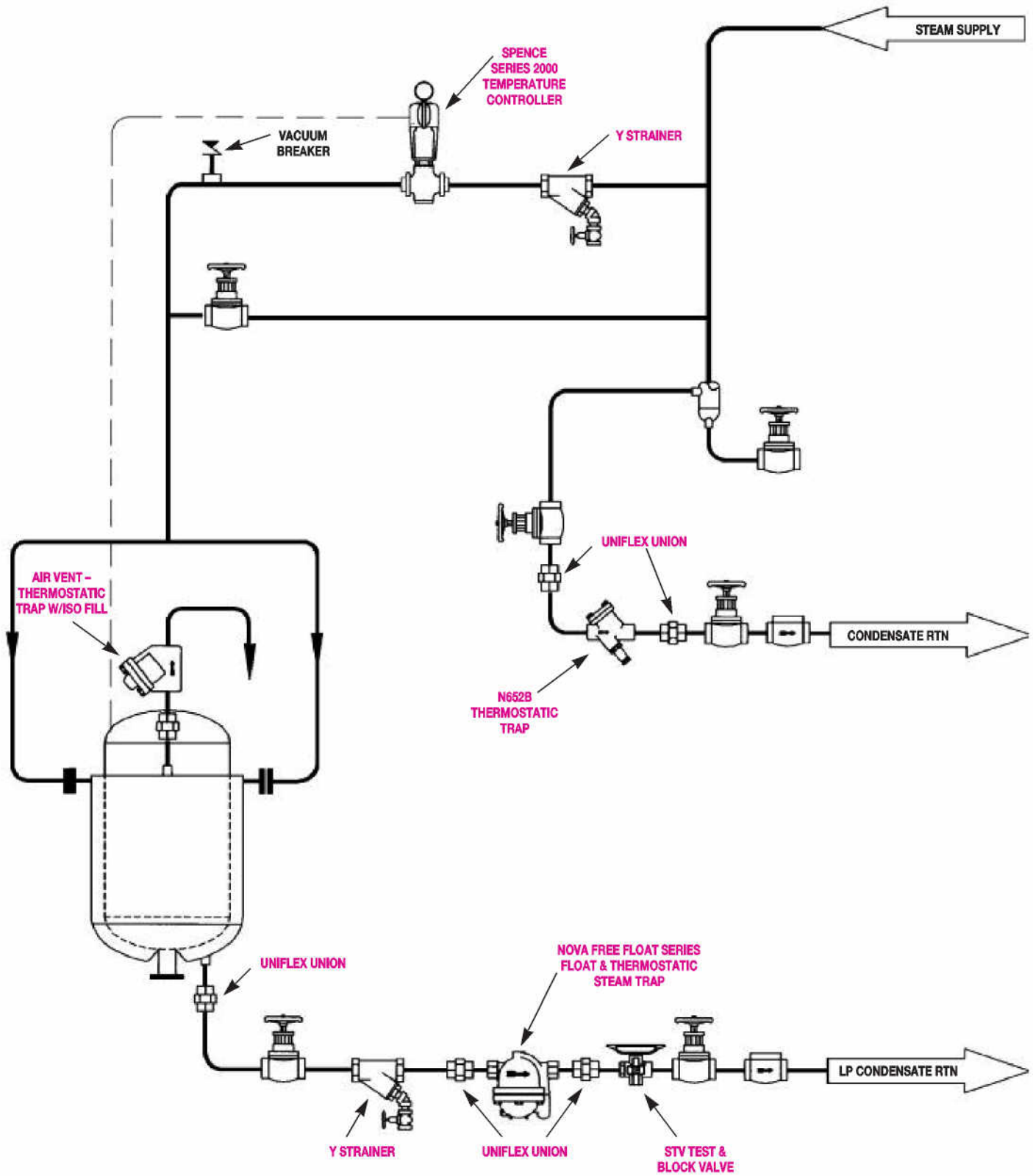
## STEAM PRESS





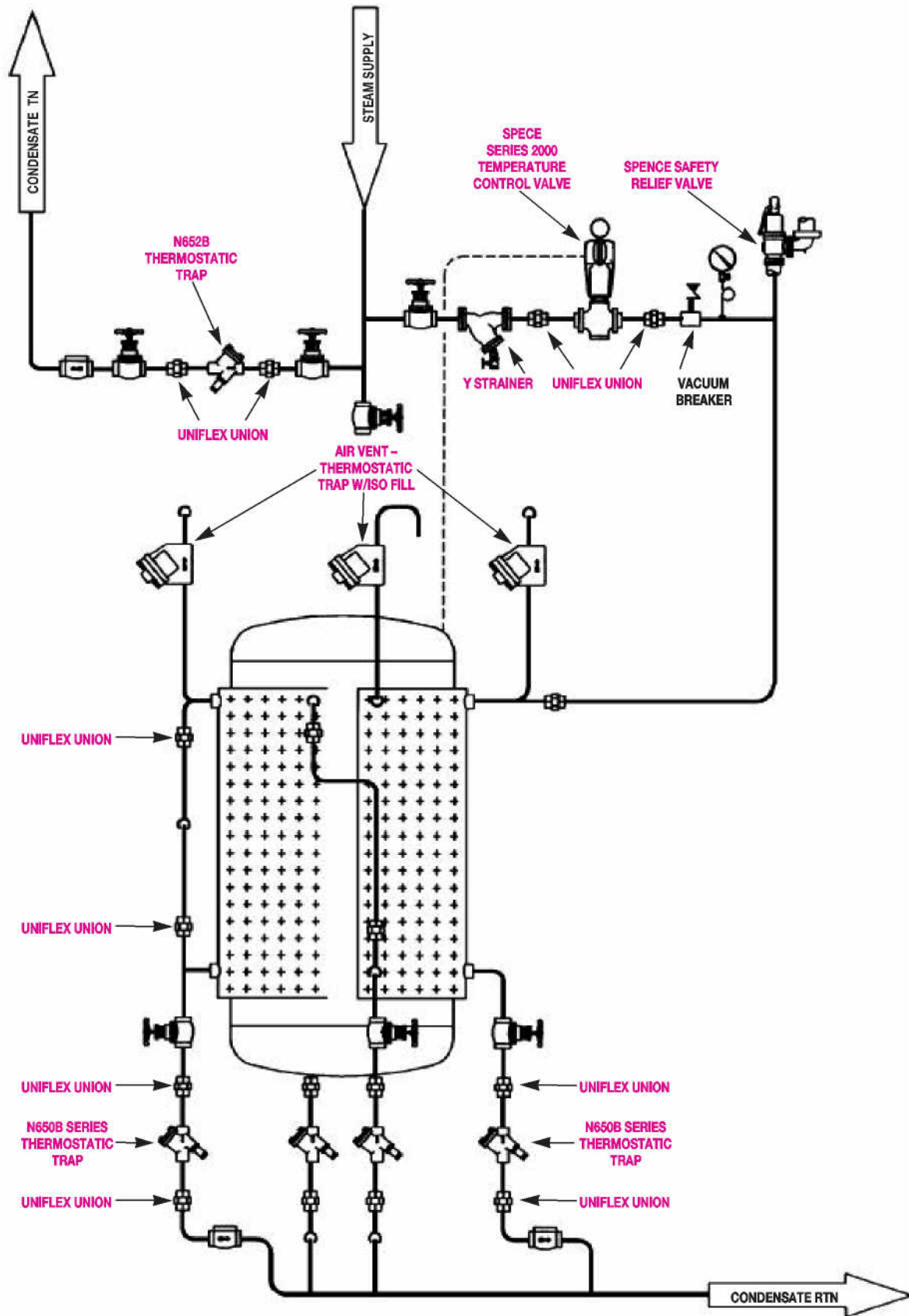
# NICHOLSON STEAM TRAP

## JACKETED PRESSURE VESSEL



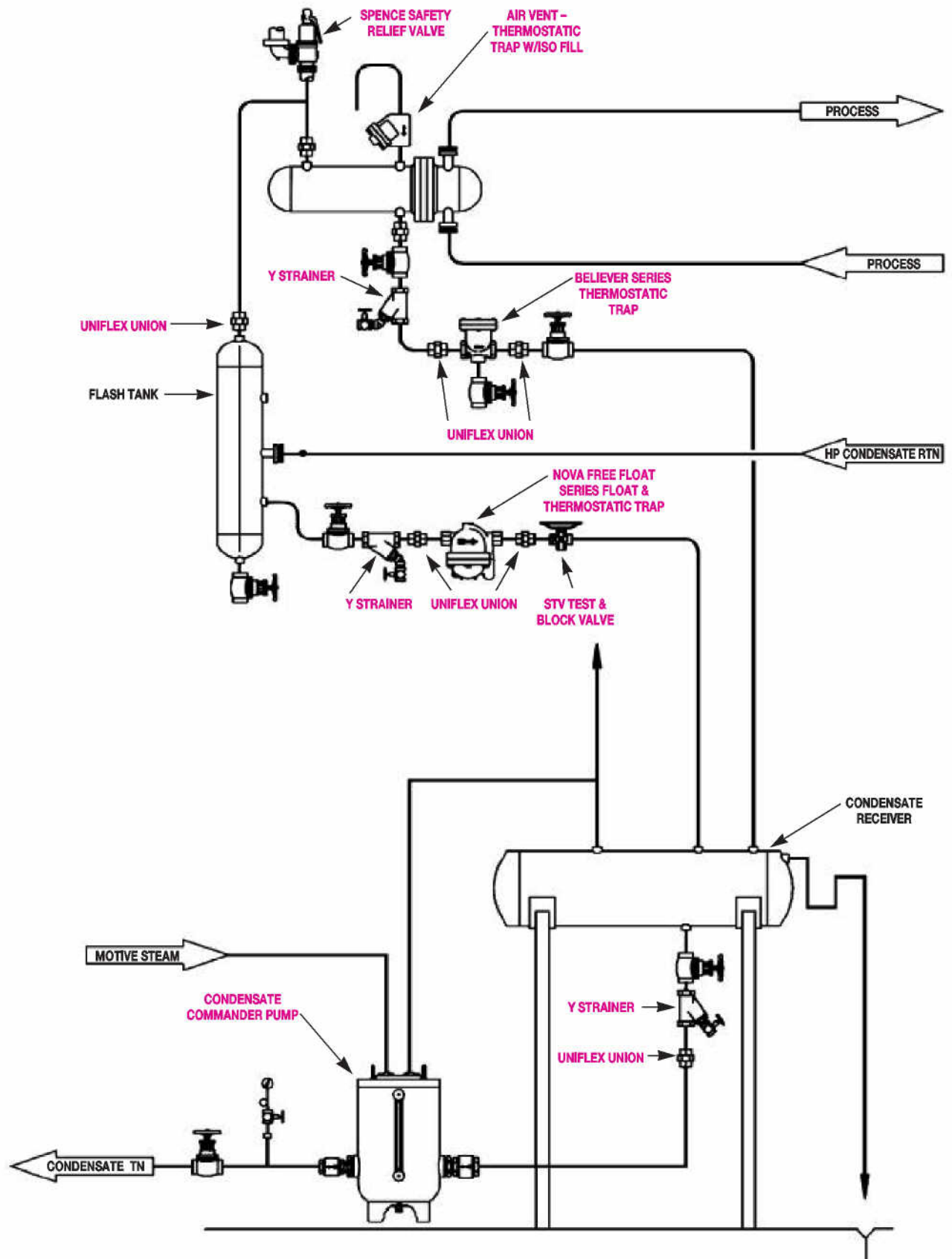
# NICHOLSON STEAM TRAP

## PRESSURE VESSEL WITH DIMPLE JACKET



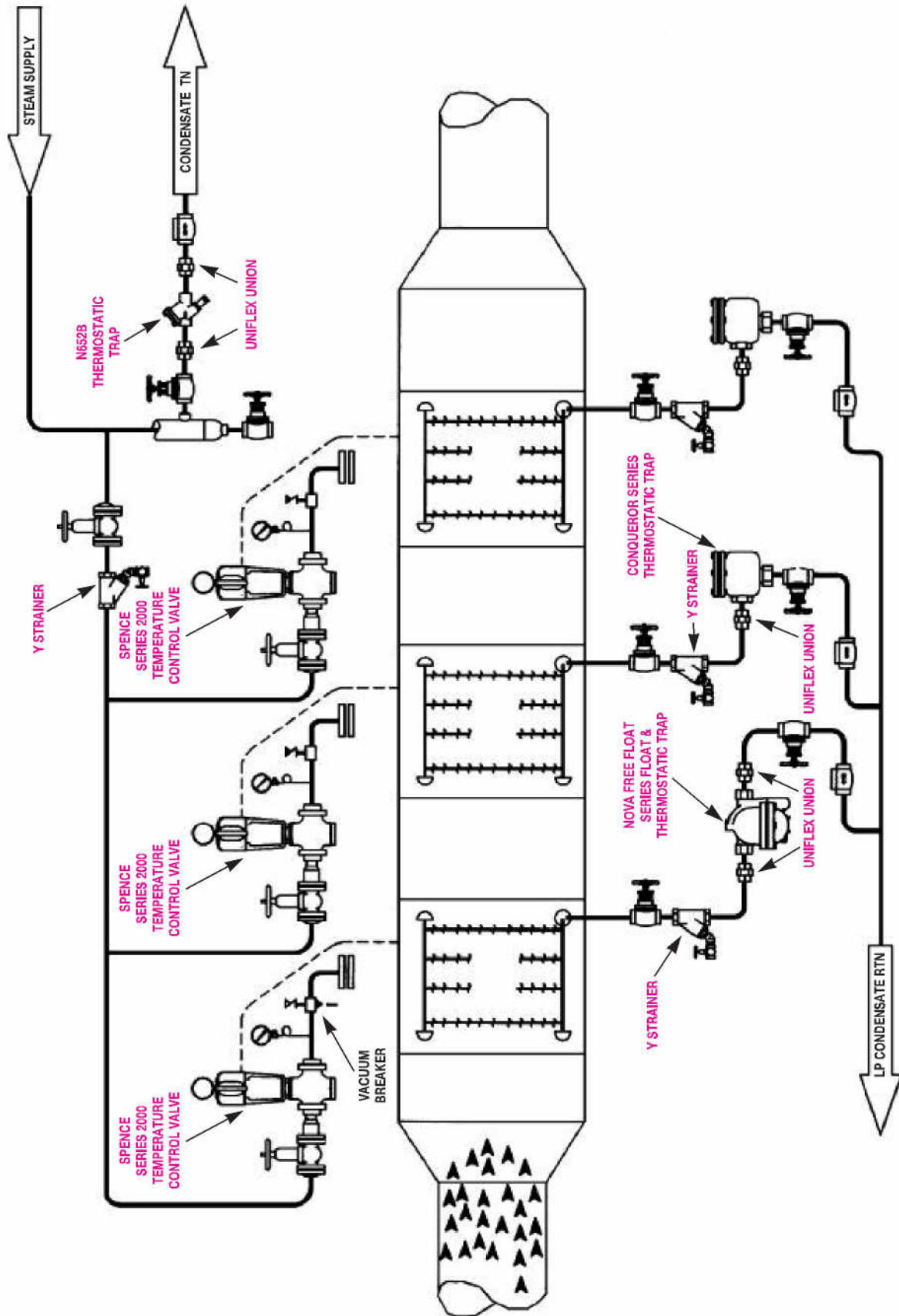
# NICHOLSON STEAM TRAP

## FLASH TANK WITH CONDENSATE BOOSTER PUMP



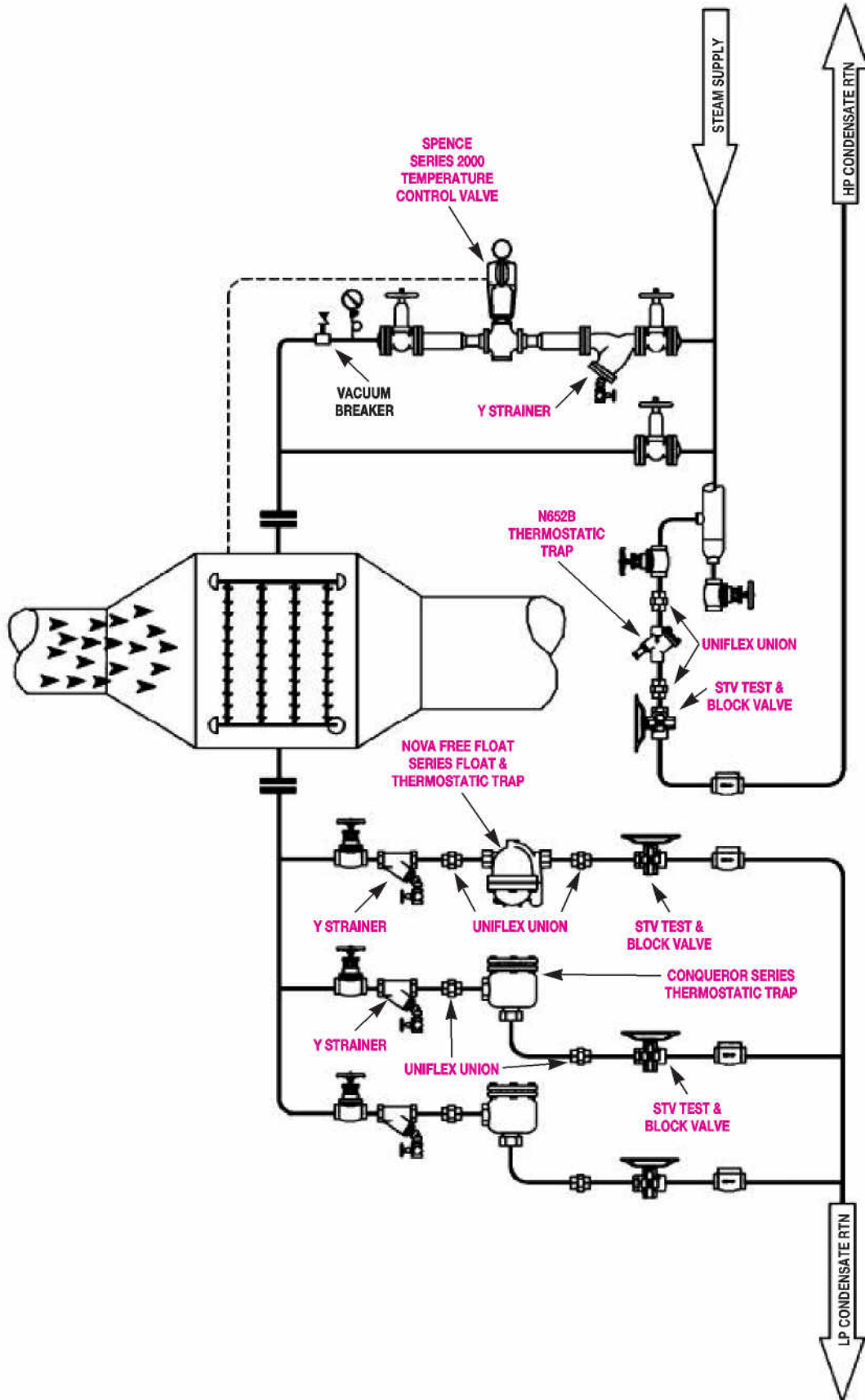
# NICHOLSON STEAM TRAP

## MULTI-COIL AIR HANDLER



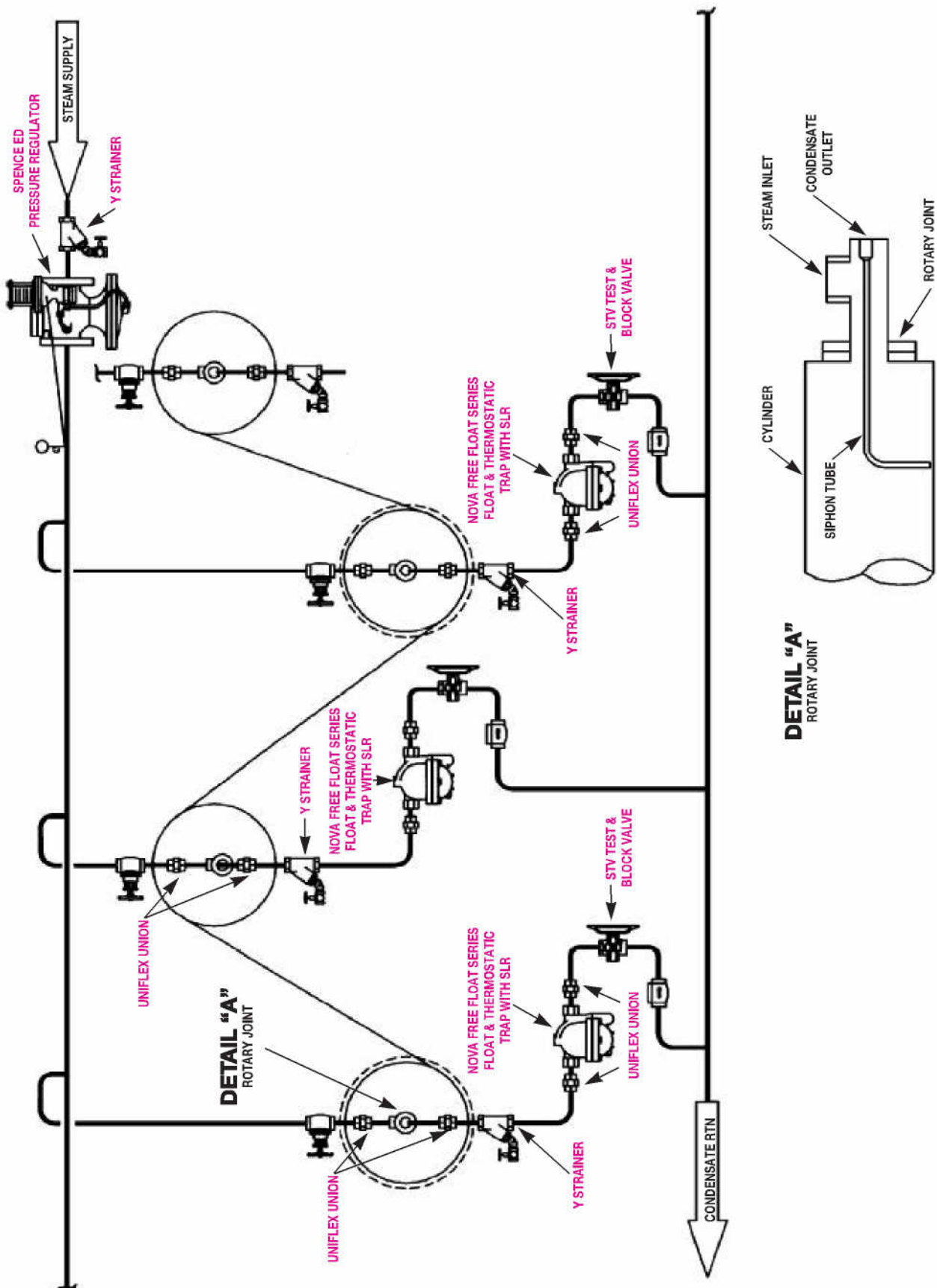
# NICHOLSON STEAM TRAP

## HIGH PRESSURE AIR COIL



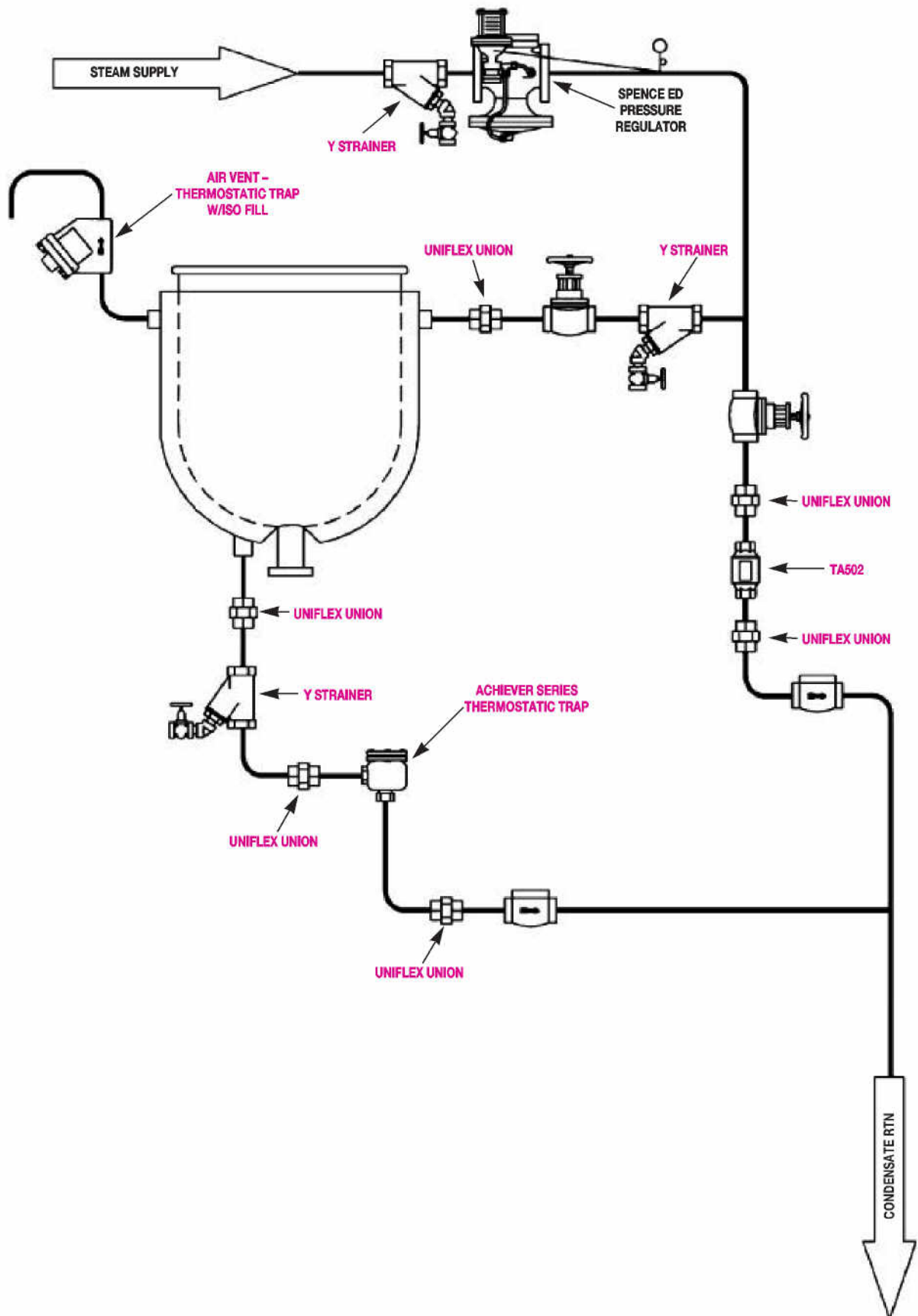
# NICHOLSON STEAM TRAP

## DRY CAN/CALENDER ROLL



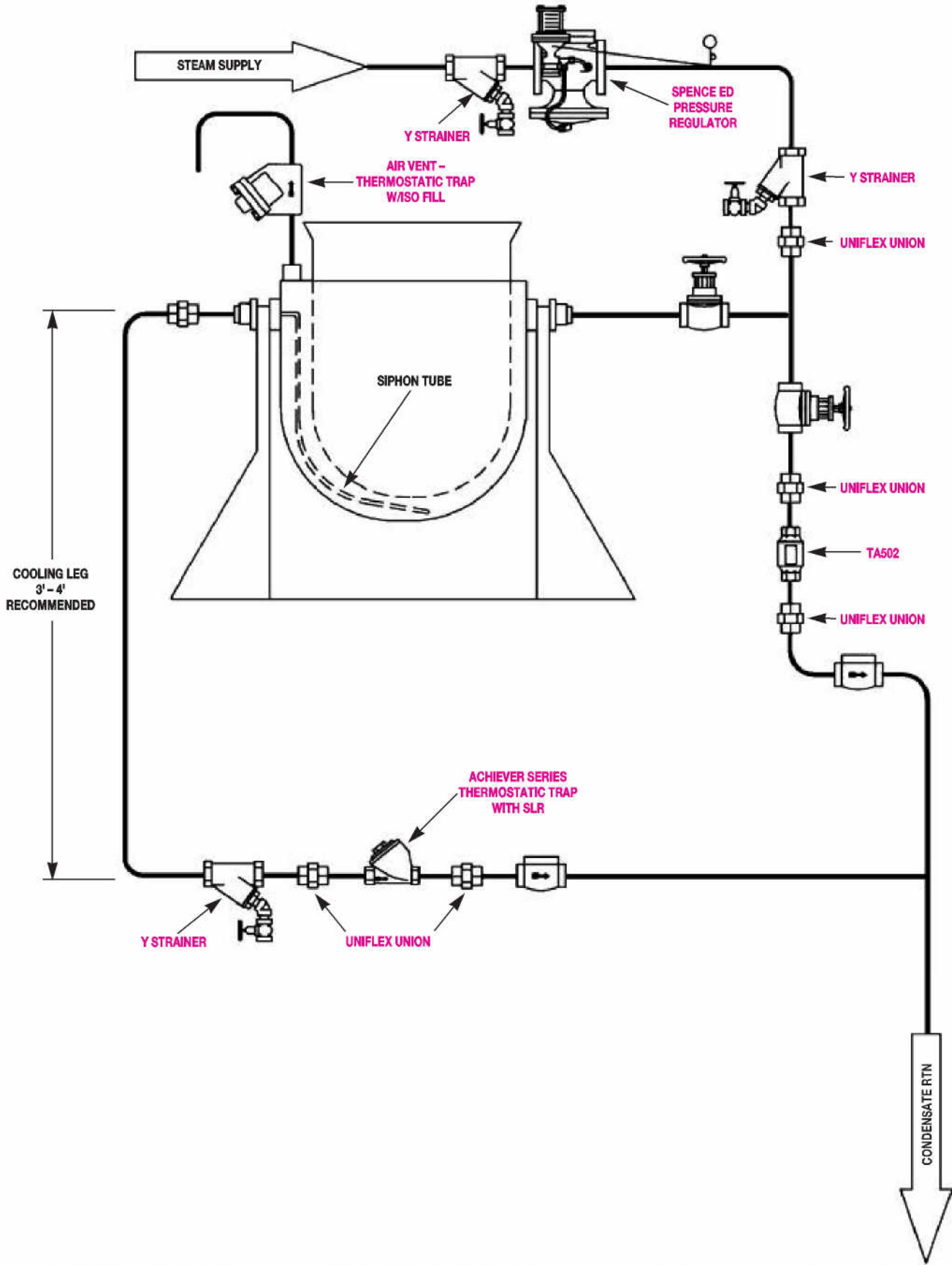
# NICHOLSON STEAM TRAP

## JACKETED KETTLE



# NICHOLSON STEAM TRAP

## TILTING JACKETED KETTLE





# NICHOLSON STEAM TRAP

## DOMESTIC HOT WATER

